

WATER CLOSET SIDE WALL TEMPLATE [LEFT - TOP]

ABBREVIATIONS:

AFF	ABOVE FINISHED FLOOR
BTM	BOTTOM
CFS	CLEAR FLOOR SPACE
CL	CENTER LINE
MAX	MAXIMUM
MIN	MINIMUM
MISC	MISCELLANEOUS
RGB	REAR GRAB BAR
SCD	SEAT COVER DISPENSER
SGB	SIDE GRAB BAR
TTD	TOILET TISSUE DISPENSER
TTDZ	TOILET TISSUE DISPENSER ZONE
VGB	VERTICAL GRAB BAR

INSTRUCTIONS

INSTALLING THE TEMPLATES

- CUT BOTTOM TEMPLATE ALONG FINISH FLOOR AND FINISH WALL CUT LINES.
- CUT TOP TEMPLATE ALONG FINISH WALL AND MATCH CUT LINES.
- ATTACH BOTTOM TEMPLATE TO WALL.
 - THE BOTTOM OF THE TEMPLATE SHALL BE FLUSH AND LEVEL WITH THE FINISH FLOOR.
 - THE TTD MATCH LINE SHALL BE IN LINE WITH THE FRONT EDGE OF THE WATER CLOSET.

NOTE: THIS TEMPLATE IS BASED ON A ZURN ZW683RWL WATER CLOSET. THE RIGHT SIDE OF THE TEMPLATE SHALL BE PLUMB BUT MAY OR MAY NOT BE FLUSH WITH THE REAR FINISH WALL DEPENDING ON THE ACTUAL TYPE OF WATER CLOSET INSTALLED.
- ATTACH TOP TEMPLATE TO WALL.
 - THE RIGHT SIDE OF THE TEMPLATE SHALL BE FLUSH AND PLUMB WITH THE WATER CLOSET REAR FINISH WALL.
 - THE MATCH / CUT LINES FROM BOTH TEMPLATES SHALL ALIGN.

NOTES: BASED ON THE LOCATION OF THE TOILET, SOME OF THE NOTES / DIMENSION LINES MAY NOT ALIGN BETWEEN TEMPLATES.

INSTALLING THE ELEMENTS:

- LOCATE SIDE GRAB BAR (SGB) - HOLE PUNCH MARK THE CENTER OR MOUNTING POINTS OF EACH MOUNTING FLANGE.
 - LOCATE VERTICAL GRAB BAR (VGB) - HOLE PUNCH MARK THE CENTER OR MOUNTING POINTS OF EACH MOUNTING FLANGE.
 - LOCATE TOILET TISSUE DISPENSER (TTD) - HOLE PUNCH MARK THE MOUNTING POINTS OF THE TTD OR OTHERWISE MARK THE LIMITS OF THE TOILET TISSUE DISPENSER ZONE (TTDZ).
- NOTE: THE CENTERLINE OF THE TTD SHALL BE LOCATED WITHIN THE TTDZ FOR ALL TYPES OF DISPENSERS.
- FOR SURFACE MOUNTED DISPENSERS:
THE BOTTOM OF THE TTD OR TOILET PAPER ROLL (WHICHEVER IS LOWER) SHALL NOT EXTEND BELOW THE TTDZ.
THE TOP OF THE TTD OR TOILET PAPER ROLL (WHICHEVER IS HIGHER) SHALL NOT EXTEND INTO THE SHADED AREA SHOWN AROUND THE SIDE GRAB.
- FOR RECESSED MOUNTED DISPENSERS:
THE POINT WHERE ANY TOILET PAPER IS GRABBED SHALL BE LOCATED WITHIN THE TTDZ AND NOT LOCATED BEHIND ANY GRAB BARS.

- LOCATE REMAINING WATER CLOSET SIDE WALL DISPENSERS / ACCESSORIES - HOLE PUNCH MARK THE MOUNTING POINTS FOR EACH DISPENSER / ACCESSORY.
 - NO SURFACE MOUNTED DISPENSER / ACCESSORY SHALL EXTEND INTO THE SHADED AREA AROUND A GRAB BAR. RECESSED MOUNTED DISPENSERS / ACCESSORIES ARE PERMITTED TO EXTEND INTO THE SHADED AREA.
 - THE ENTIRE OPERABLE / USABLE PART SHALL BE LOCATED BETWEEN THE MIN AND MAX REACH LINES.

NOTE: ONLY SEAT COVER DISPENSER, SANITARY NAPKIN DISPOSAL UNIT, HOOKS, SHELVES, OR BED PAN WASHER MAY BE LOCATED WITHIN THE WATER CLOSET CLEAR FLOOR SPACE. NO OTHER FIXTURES OR OBSTRUCTIONS MAY BE LOCATED WITHIN THE CFS.
- REMOVE TEMPLATES.
- INSTALL TOILET SIDE GRAB BAR (SGB) AND VERTICAL GRAB BAR (VGB):
 - CONFIRM THE GRAB BARS AND INSTALLATION METHOD SPECIFIED COMPLY WITH 2010 ADA STANDARDS SECTION 609.
 - IF THE GRAB BARS OR INSTALLATION METHOD DO NOT COMPLY, DO NOT PROCEED WITH INSTALLING GRAB BARS AND CONTACT ARCHITECT FOR FURTHER INSTRUCTIONS.

NOTE: THE GRAB BARS SHALL BE MOUNTED LEVEL AND PARALLEL TO THE FINISH FLOOR. THE TOP OF THE GRAB BAR SHALL BE LEVEL WITH THE REAR GRAB BAR. NON-LEVEL FLOORS: IF FLOOR IS NOT LEVEL, THE GRAB BAR SHALL STILL BE LEVEL AND THE ENTIRE LENGTH OF THE TOP OF THE GRIPPING SURFACE SHALL BE LOCATED WITHIN THE RANGE SHOWN.
- INSTALL TOILET TISSUE DISPENSER (TTD):
 - CONFIRM THE SPECIFIED TOILET TISSUE DISPENSER IS OF A TYPE THAT ALLOWS FOR A CONTINUOUS FLOW OF PAPER (I.E. DOES NOT CONTROL THE DELIVERY AMOUNT).
 - IF DISPENSER LIMITS PAPER FLOW, DO NOT PROCEED WITH INSTALLING THIS DISPENSER AND CONTACT ARCHITECT FOR FURTHER INSTRUCTIONS.
- INSTALL REMAINING WATER CLOSET SIDE WALL DISPENSERS / ACCESSORIES:
 - CONFIRM EACH DISPENSER / ACCESSORY SPECIFIED DOES NOT REQUIRE PINCHING, TIGHT GRASPING, TWISTING OF THE WRIST, OR MORE THAN 5 POUNDS OF PRESSURE TO OPERATE.
 - IF ANY OF THE ISSUES LISTED ABOVE EXIST, DO NOT PROCEED WITH INSTALLING THE DISPENSER / ACCESSORY AND CONTACT ARCHITECT FOR FURTHER INSTRUCTIONS.

48" A.F.F. MAX REACH LINE

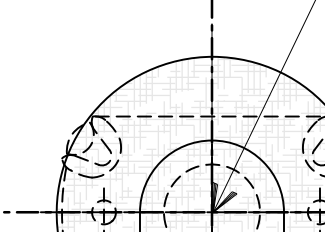
40" A.F.F. MIN REACH LINE
(SHELVES ONLY)

DISPENSERS / ACCESSORIES
MOUNTED ON THE TOILET SIDE WALL / PARTITION WHICH MAY INCLUDE SEAT COVER DISPENSERS (SCD), SANITARY NAPKIN DISPOSALS, TRASH CANS, SHARPS, HOOKS, SHELVES, ETC..
THIS DOES NOT INCLUDE TOILET TISSUE DISPENSERS.
NOTE: THE MEASUREMENT IS TO THE OPERABLE / USABLE PART WHICH MAY BE THE CENTER, BOTTOM, OR TOP OF AN OPENING, LEVER, BUTTON, OR OTHER USABLE PART DEPENDING ON THE TYPE OF DISPENSER / ACCESSORY BEING INSTALLED. EXAMPLE SHOWN ABOVE IS OF A 'SCD'.

MATCH / CUT LINE
MATCH / CUT LINE

FLANGE CENTER

CL



VERTICAL GRAB BAR (VGB)

1'-6"

CL

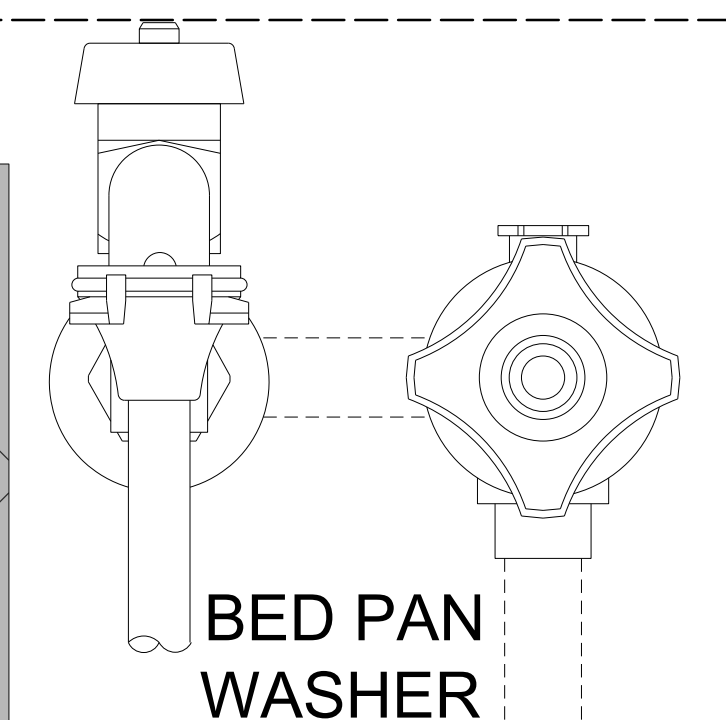
3'-4"
RANGE = 39"-41" FROM FINISH WALL TO CENTER OF MOUNTING FLANGE

48" A.F.F. MAX REACH LINE

FINISH WALL CUT LINE

NO SURFACE MOUNTED ACCESSORIES SHALL BE MOUNTED WITHIN OR EXTEND INTO THIS SHADED AREA.

56" MIN. WATER CLOSET CLEAR FLOOR SPACE



BED PAN WASHER

1'-0"

LEVEL

REAR GRAB BAR (RGB)

1 1/2" MIN

FLANGE CENTER

1 1/2" MIN

FLANGE CENTER

SIDE GRAB BAR (SGB)

TTDZ

3'-6"

1'-0" MIN

1 1/2" MIN

FLANGE CENTER

MATCH / CUT LINE
MATCH / CUT LINE

FACE

